



SANICUBIC® 1 WP

SANICUBIC® 1 lifting station, designed for individual houses or small commercial leases, is a powerful macerator pump that can discharge waste water from toilets, bathrooms, kitchens or utility rooms.

TECHNICAL DATA

Pump type	GRINDER
Maximum flow rate	13 m ³ /h
Shut-off head (Q=0 m ³ /h)	13,50 m
IP rating	IP 68
Tank volume	32 L
Useful volume	10 L
Discharge pipe diameter	Ø ext. 50 mm
Inlets diameter	1 inlet Ø ext. 40/50 mm 3 inlets Ø ext. 40/50/100/110 mm
Vent diameter	Ø ext. 50 mm
Low inlets height	140 mm
Maximum admissible waste water temperature	70°C (max 5 min)
Activation method	Pressure switch, circuit board
Activation level ON-OFF (compared to ground level)	ON: 145 mm +/- 15 mm OFF: 80 mm
Alarm activation level (compared to ground level)	210 mm +/- 15 mm
Weight	23 kg
Non-return valve included	

VERTICAL
DISCHARGE:
↑ 11 m
Ø ext. 50 mm



SANICUBIC® 1WP

MOTOR DATA

Motor	1
Electrical power supply	Single-phase 220-240 V / 50-60 Hz
Electrical power rating	1500 W
Maximum current input	6 A
Electrical class	I
Thermally protected	
Oil-filled	

MATERIALS

Motor body	Polyamide
Bottom of the pump	Polyamide
Turbine	PA6
Motor shaft	Stainless steel
O-ring	Nitrile
Sealing ring	Nitrile

CONTROL BOX

External control box included	
Protection class	IPX4

ALARM BOX

External audible and visual alarm box	
Wire	5 m
Protection class	IP 20

**1 MOTOR
IP68**



External control box
(cable 4m)



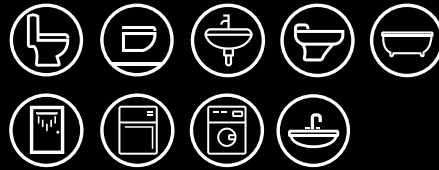
External audible and
visual alarm (wire 5m)



Smart box (Available soon)

SANICUBIC® 1 WP lifting station for
individual houses or small commercial leases.

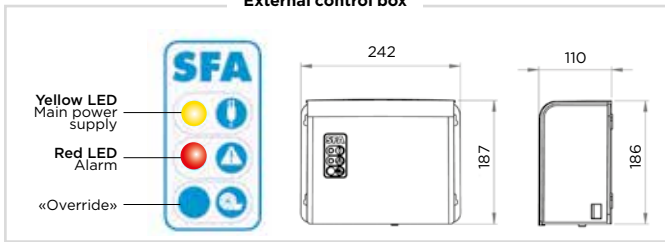
IP 68 rated.
Available IP67 model



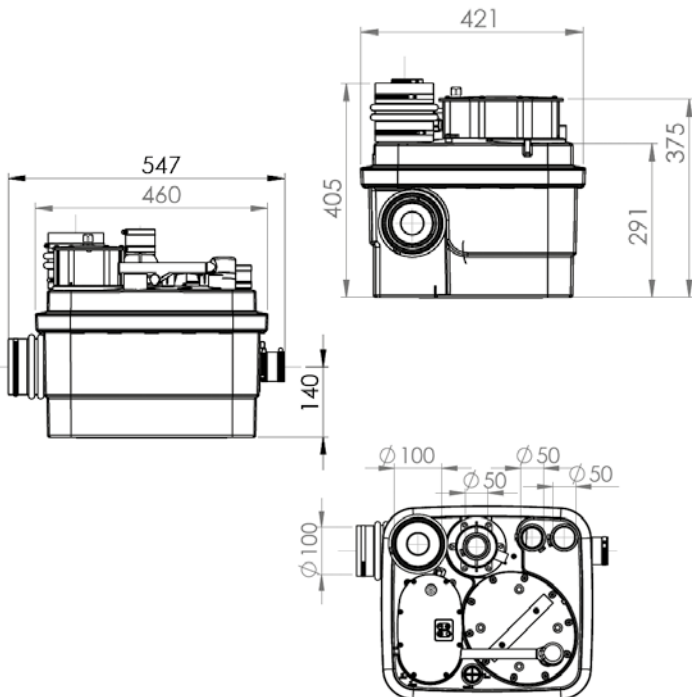
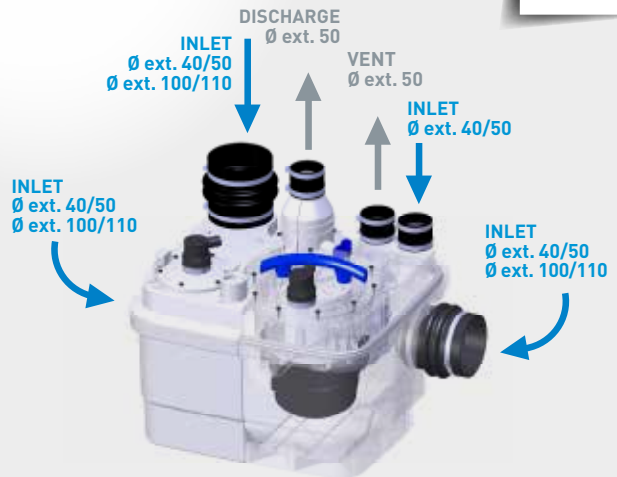
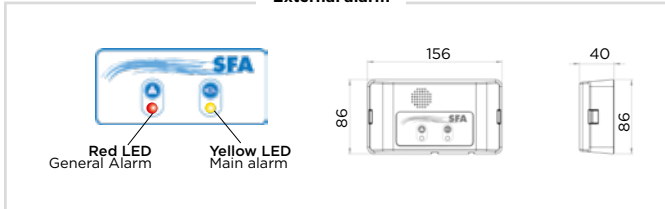
Grease trap
recommended

11 m
↑

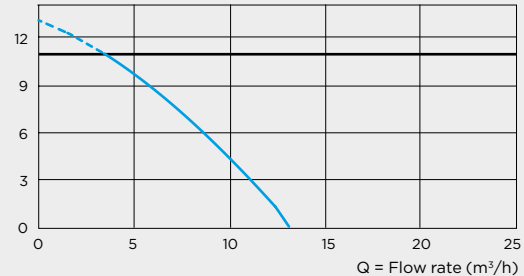
External control box



External alarm



Height (m)



Sanicubic's performance for 1 flat
(1 to 3 residents)
Estimated flow rate = 2,5 m³/h -
Exterior waste pipe diameter : 50 mm

Vertical discharge in m	Horizontal discharge in m (PVC pipes)										
	10	15	20	25	30	35	40	45	50	55	60
1											
2											
3											
4											
5											
6											
7											
8											
9											
10											